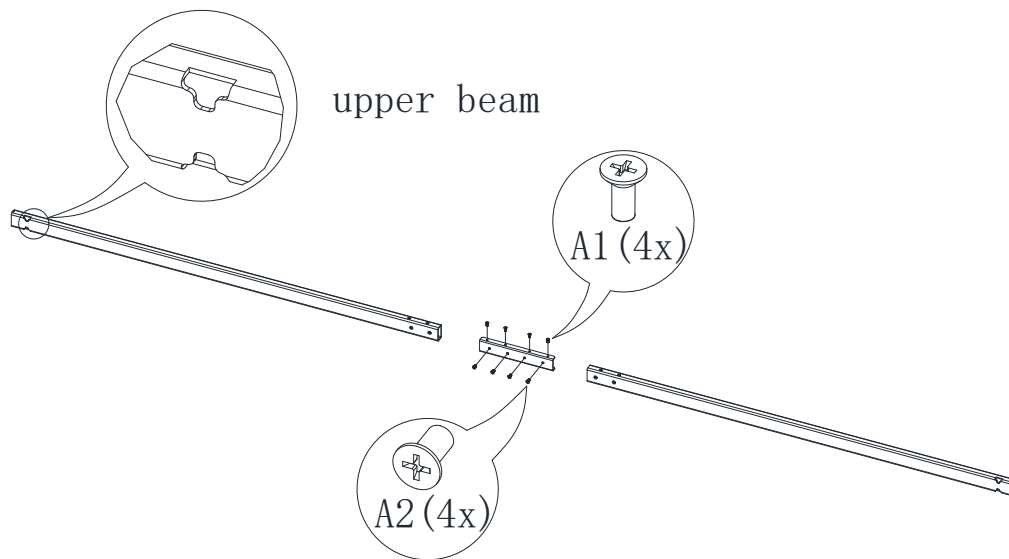
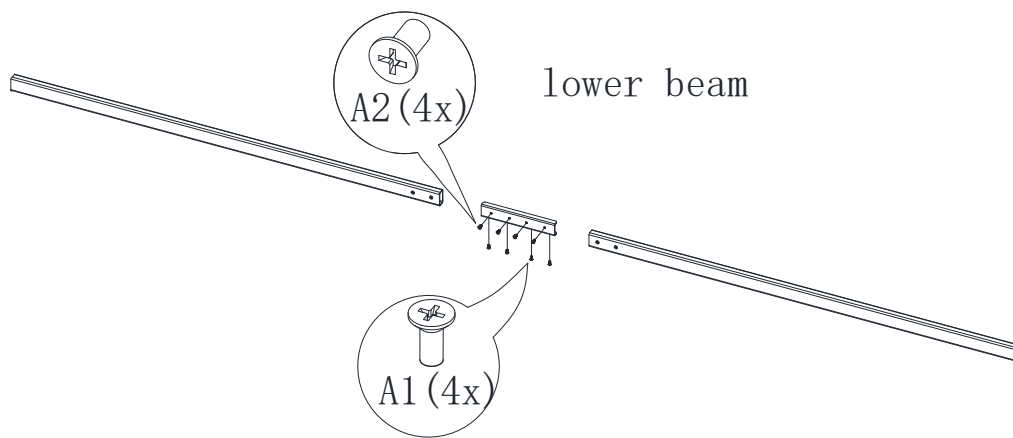


DV Pedestal installation

1. Open the package of the support structure.
2. Remove the box contents.
3. Connect the two upper beams together by the A1(4X) screw, Notice that the direction of two beams, as below:



4. Follow the same steps, connect the low beams together, as below:

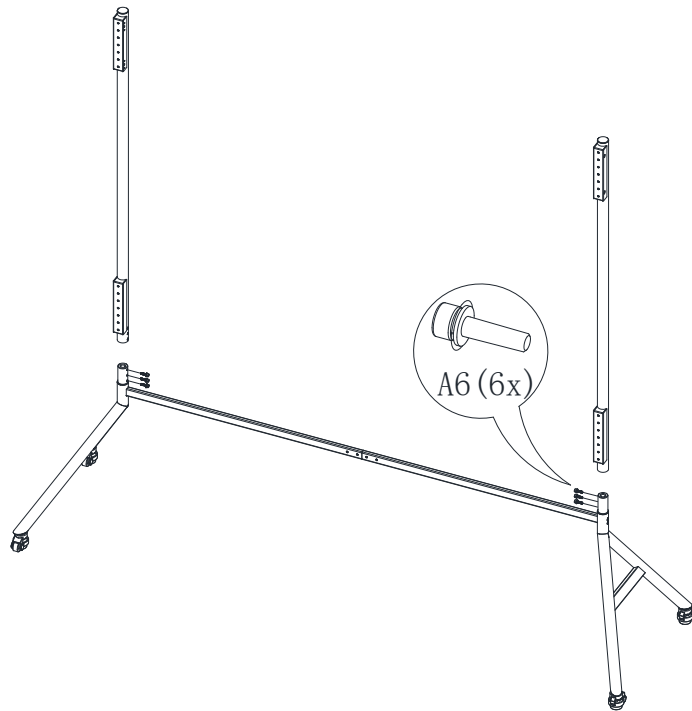


5. Assembly the right side and left side of “A “ shape stand with the lower beams



6. Connect the right and left upright with the “A” shape stand as below:

newline



7. Connect the upper beam to the right and left castor bases, as shown below:

